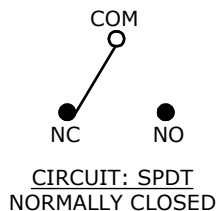


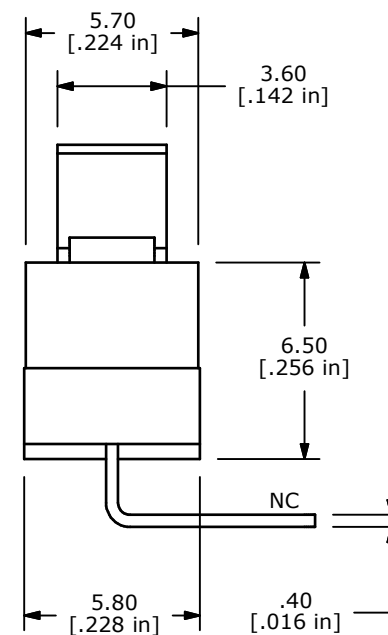
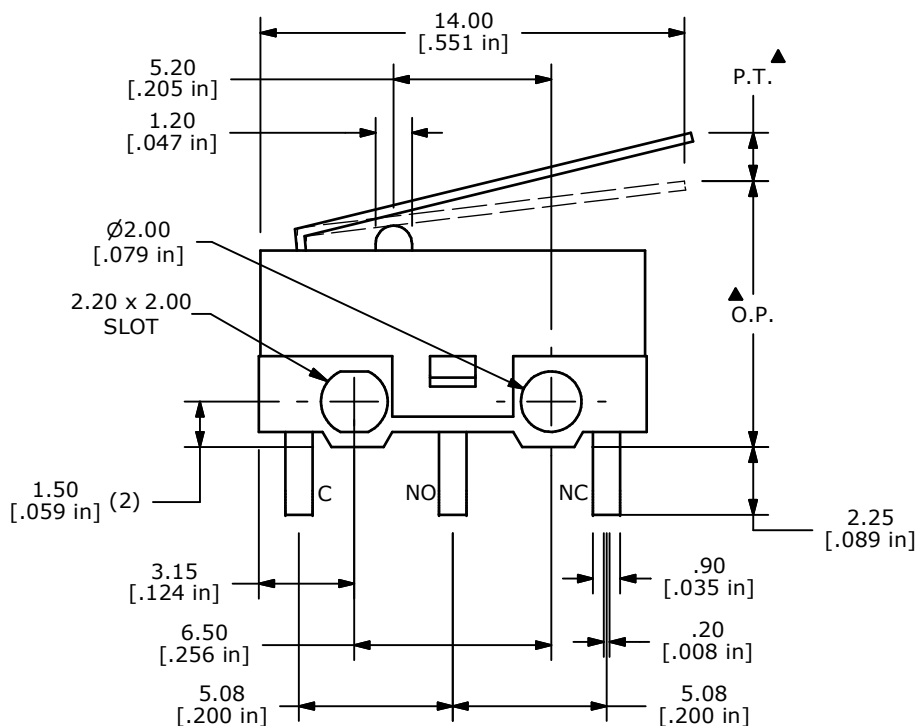
O.P. (MM)	P.T. (MM)
8.8 ±0.8	1.6 Max.

O.P. = OPERATING POINT  
P.T. = PRE-TRAVEL



NOTES:

- ALL DIMENSIONS IN MM [INCH]
- GENERAL TOLERANCE: X.X=±0.4  
X.XX=±0.25
- ▲**3. RATING: 3A @125VAC  
1.5A @250 VAC UL
- ▲**4. OPERATING FORCE: 40± 10 GRAMS
5. OPERATING TEMP: -25°C TO 75°C
6. ELECTRICAL LIFE: 10,000 CYCLES MIN.
7. INSULATION RESISTANCE: 100 MEGA-OHMS MIN.
8. DIELECTRIC STRENGTH: 500VAC - 1 MINUTE
9. **▲** DENOTES CRITICAL PARAMETER.
- 2002/95/EC (ROHS) COMPLIANT
11. PACKAGED IN TRAYS, 120 PIECES PER TRAY



TITLE SS0750301F040V2A

A	20613	INITIAL RELEASE	05/30/12	drg
REV	PCR NO	DESCRIPTION	DATE	BY

SCALE	DATE	DR	DWG	REV
NONE	5/30/2012	drg	Q971035	A

THE INFORMATION CONTAINED IN THIS DOCUMENT IS PROPRIETARY TO E-SWITCH AND IS NOT TO BE COPIED OR TRANSFERRED